

# Multi-turn Dial

# MIDORI DM-15



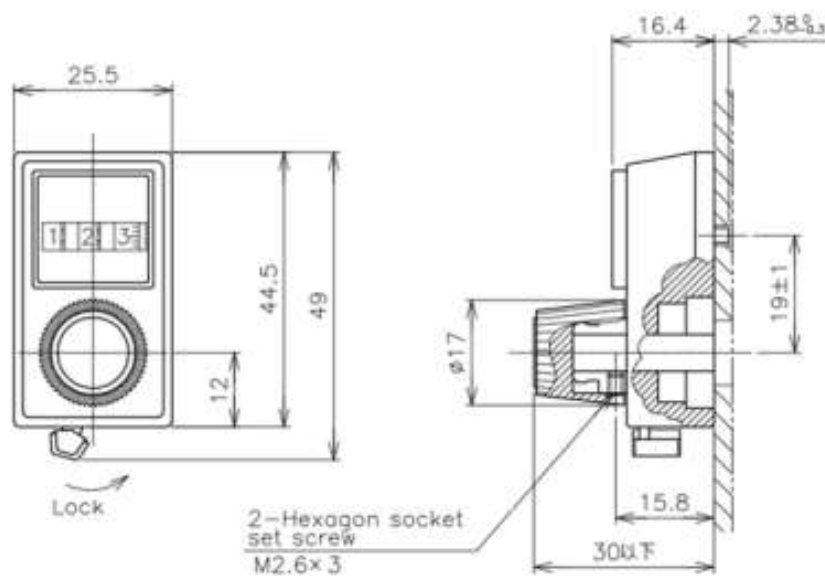
## General

- Multi-turn Dial (analog)
- Use with HP-18 10-turn wire wound potentiometer

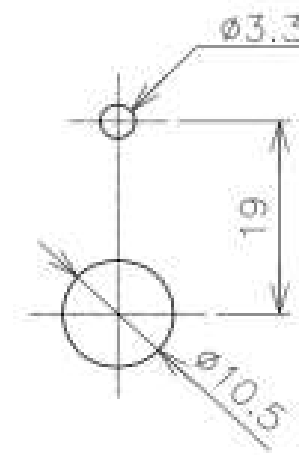
## Material

- Housing: Zinc, Aluminum, Copper Alloy, POM

## Dimension (mm)



## Mounting(mm)



## Specifications

|                                   |  |
|-----------------------------------|--|
| <b>Number of Turns</b>            | 10 Turns                                 |
| <b>Minor Scale Division</b>       | 999                                      |
| <b>Mass</b>                       | Approx. 40g                              |
| <b>Applicable Potentiometer</b>   | HP-18 (10-turn wire wound potentiometer) |
| <b>Applicable Panel Thickness</b> | MAX. 6mm                                 |

## Handling Instruction

Please turn the knob by hand.