

Contactless TMR-Element Angle Sensor

MIDORI CP36U



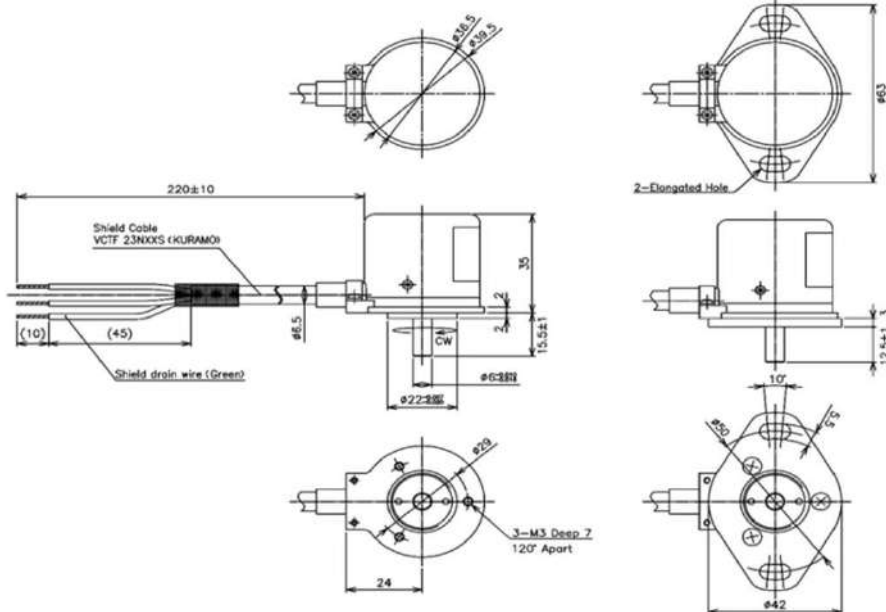
General

- Single-turn TMR-Element Angle Sensor
- Effective Electrical Angle (Standard): 18°~360°
- Absolute Linearity: $\pm 0.2\%FS$ (FS=360°)
- 2-Wires, 4-20mA Current Output
- IP50/ IP67

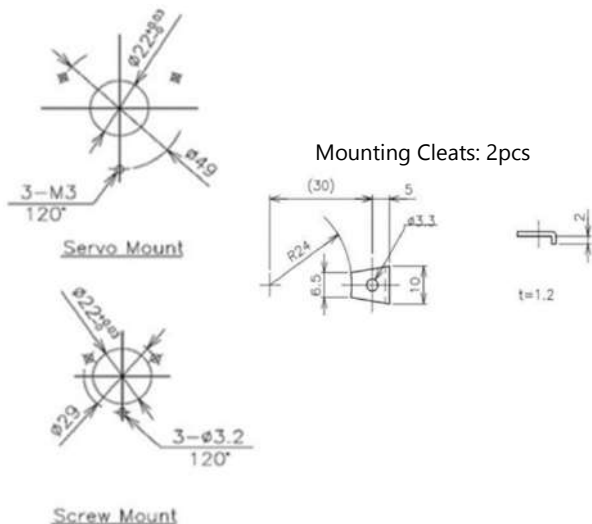
Material

- Housing: Aluminum
- Shaft: Stainless Steel
- Ball Bearing: Stainless Steel

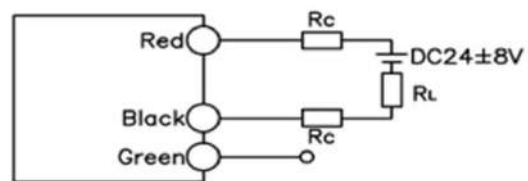
Dimension (mm)



Mounting(mm)

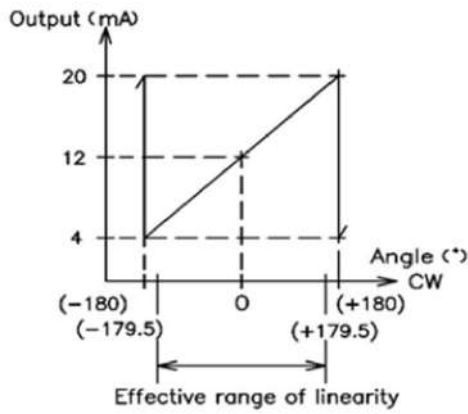


Schematic



- Red, Black and Green indicate harness colors.
- Green is shield drain wire. Be grounded if necessary.
- Rc: Transmitting wire resistance
- Rl: Load resistance

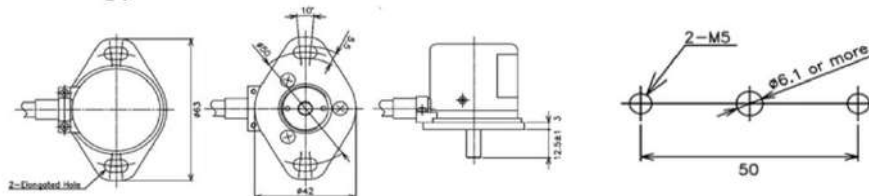
Output Characteristics



Specifications

Electrical Specifications		CP-36U		
Effective Electrical Travel		18°~360°		
Absolute Linearity	(Elect. Travel: 360°~271°) ±0.2%FS	(Elect. Travel: 270°~91°) ±0.3%FS	(Elect. Travel: 90°~18°) ±0.5%FS	
Output Range	4 to 20mA			
Input Voltage	DC24±8V			
Load Resistance	600Ω MAX. (Vin=@DC24V)			
Update Cycle	1KHz±10%			
Output Resolution	4.55Typ. (Calculation, 12bit Approx.)			
Temp. Drift (Category Temp. Range)	±1.0°(FS=360°~91°)/ ±0.5°(FS=90°~18°)			
Mechanical Specifications				
Total Mechanical Travel	360° Endless			
Torque	(IP50) 1mN · m MAX./ (IP67) 10mN · m MAX.			
Environmental Specifications				
Category Temp. Range	-40~+85°C			
Storage Temp. Range	-40~+85°C			
Vibration	200m/S2 5~500Hz/20min 3axis 2H each (JIS C60068-2)			
Shock	1000m/S2 6ms 3axis 6directions 3times each (JIS C60068-2-27)			
EMS	100V/m: 10K~1GHz (ISO11452-2, -3)			
IP Level	IEC61000-4-2 Contact±4KV, Air±8KV, Classification Criteria B			
ESD	IP50/ IP67 (Except Lead Wires)			

Options Mounting Plate (mm)



Model Number Designation

