

Multi-turn Dial

MIDORI D-12



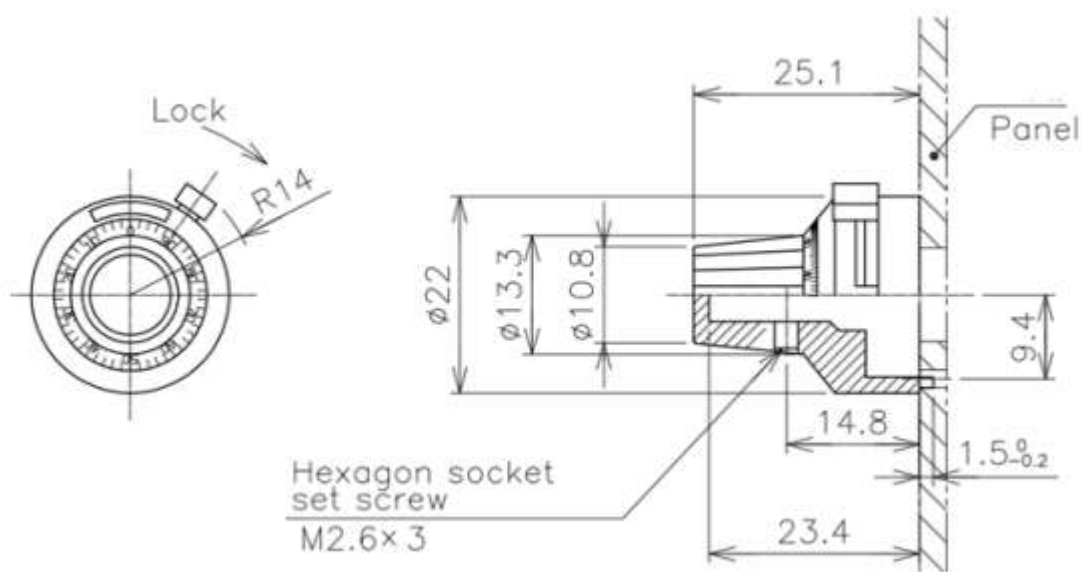
General

- Multi-turn Dial (analog)
- Use with HP-18 10-turn wire wound potentiometer

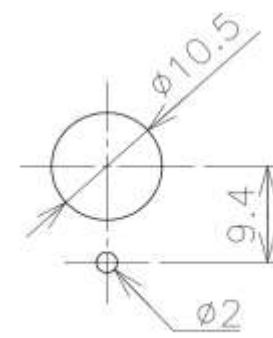
Material

- Housing: Zinc, Aluminum, Copper Alloy, POM

Dimension (mm)



Mounting(mm)



• Recommend Installation panel thickness: 2~6mm

Specifications

Number of Turns	10 Turns
Minor Scale Division	1/500
Mass	Approx. 20g
Applicable Potentiometer	HP-18 (10-turn wire wound potentiometer)
Applicable Panel Thickness	2~6mm

Handling Instruction

Please turn the knob by hand.