

Contactless Hall-IC Angle Sensor

MIDORI UV-JHA-02



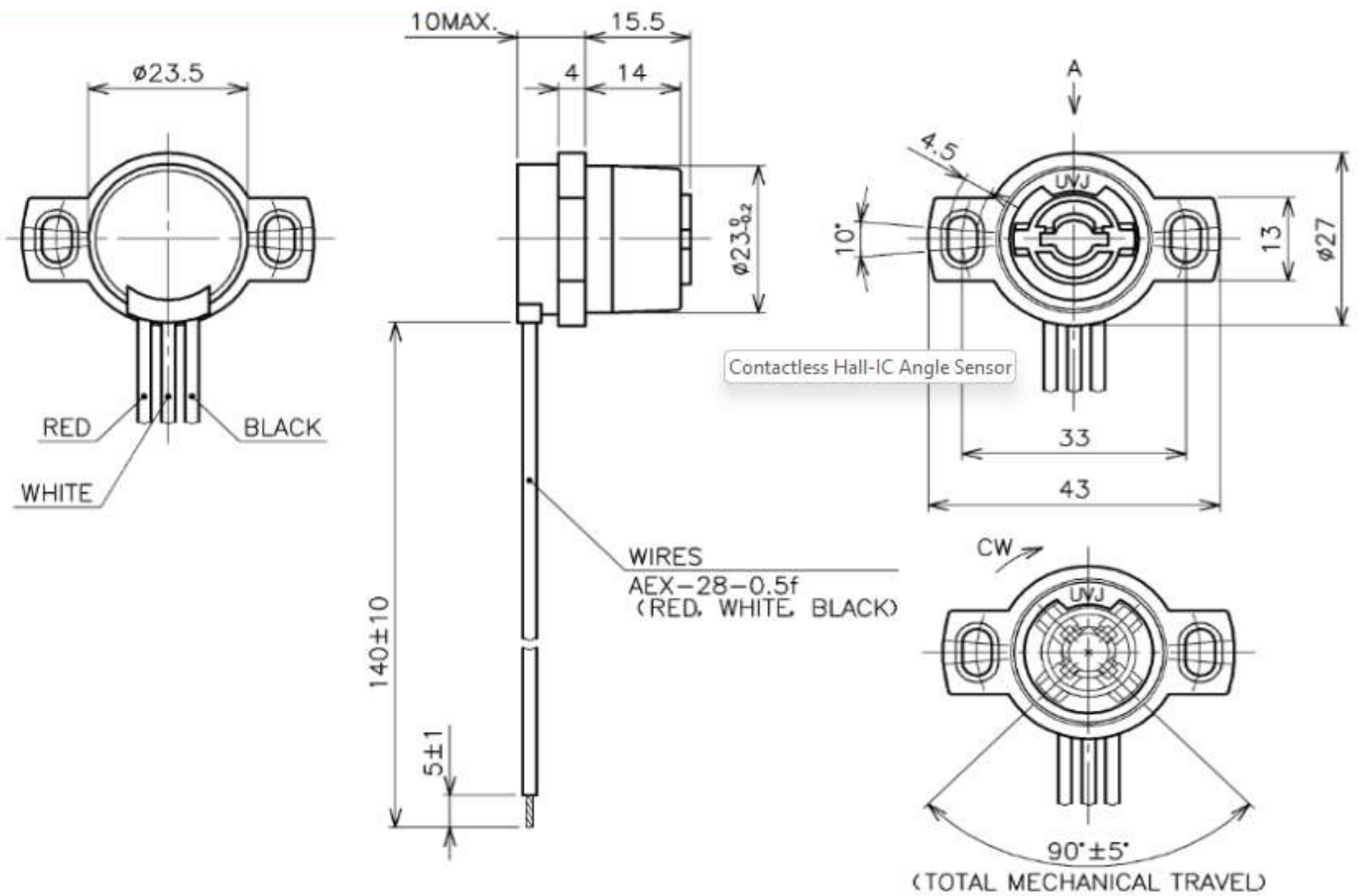
General

- Single-turn Hall-IC Angle Sensor
- Effective Electrical Angle (Standard): 80°
- Absolute Linearity: $\pm 1.5\%FS$
- Output: Voltage Ratio
- Semi Hollow Shaft
- Positive Linear Output

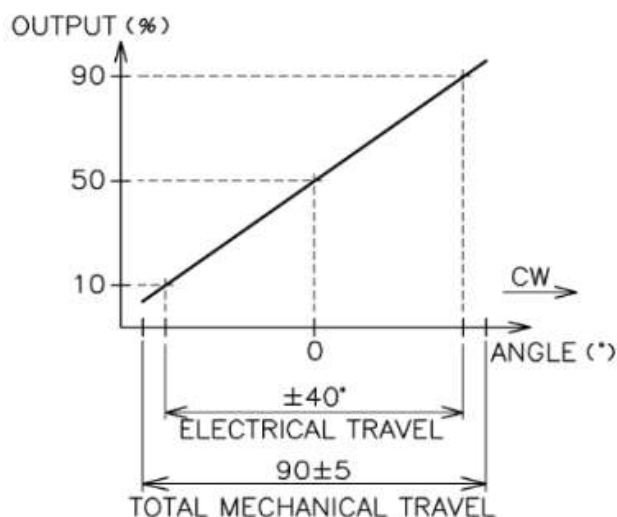
Material

- Housing: PBT
- Mounting Hole Insert: Nickel Plated

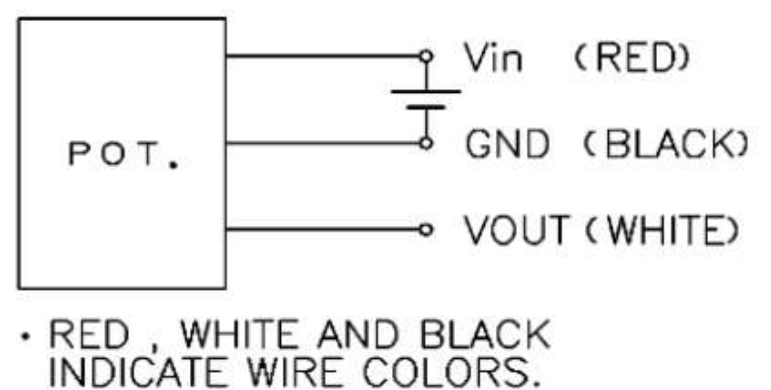
Dimension (mm)



Output Characteristics



Schematic



Specifications

UV-JHA-02	
Electrical Specifications	
Effective Electrical Travel	80°
Output Sensitivity	0.975~1.025%Vin
Independent Linearity	±1.5%FS (FS=80°)
Input Voltage	DC5±0.5V
Load Resistance	10KΩ MIN.
Supply Current	16mA MAX.
Insulation Resistance	100MΩ MIN./ DC50V
Resolution	12bit (0~100%Vin)
Temp. Characteristics -30~100°C	@0° Position: ±0.7°, @±40° Position: ±0.7° (Reference Temp. 25°C)
Mechanical Specifications	
Total Mechanical Travel	90° ±5°
Torque	2mN · m MAX.
Mass	Approx. 30g
Environmental Specifications	
Category Temp. Range	-30~+100°C
Storage Temp. Range	-40~+100°C

Options

Negative Liner Output: UV-JHA-03

Handling Instruction

- Do not use Hall-IC sensor as a variable resistor.
- This product may be influenced from external magnetic field.
- Use this sensor in the place where is protected from ESD.